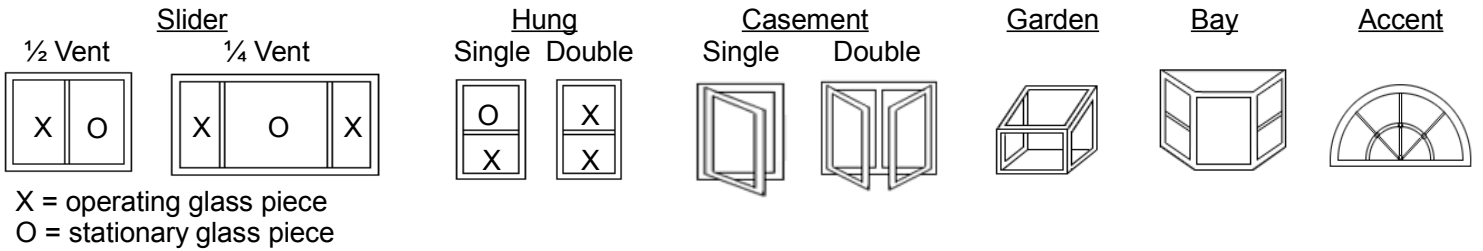


Styles



*Note: Determine window operation by looking from outside in

Measurements

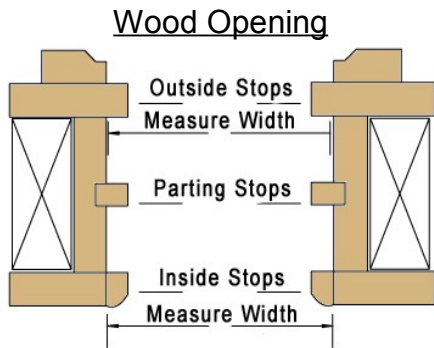


Figure 1
Top View Cross Section of
Left and Right Jamb

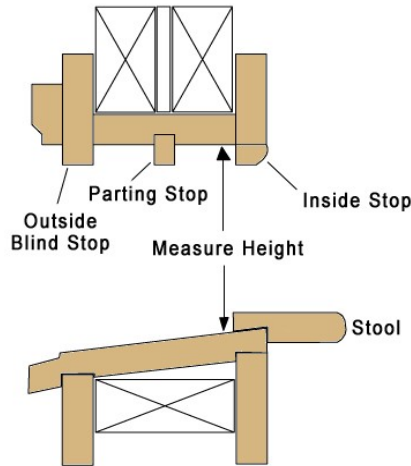
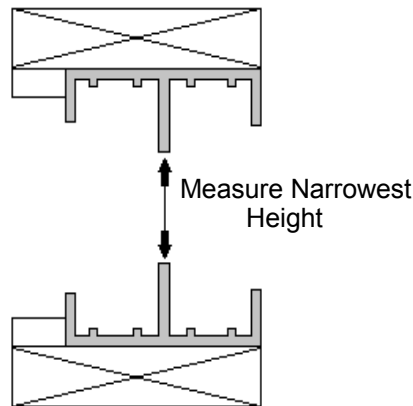
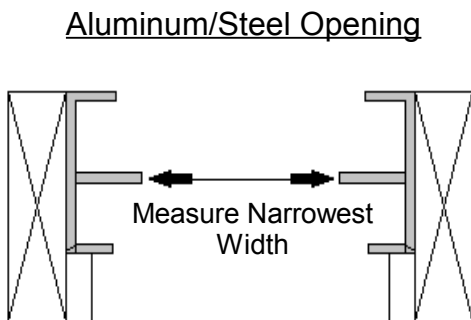
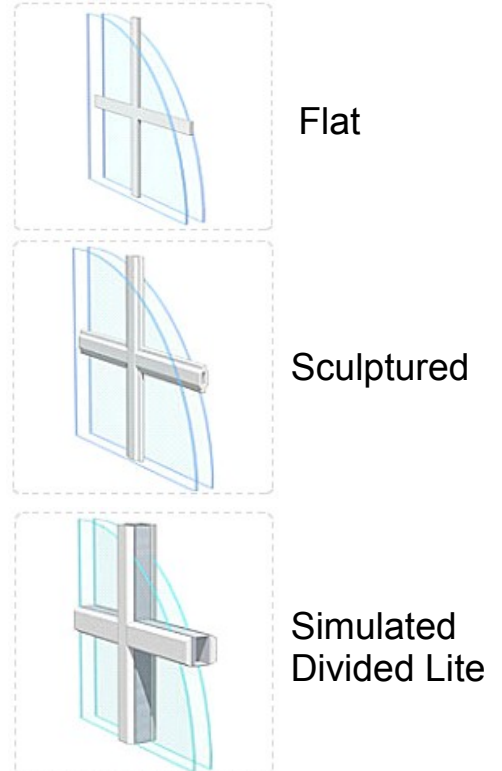


Figure 2
Side View Cross Section of
Head Jamb and Sill



Grid Options



Definitions

Replacement/Retrofit: a framed window designed to slip inside or cover the original window frame after sashes are removed without disturbing exterior or interior surfaces

New Construction: a window with a nailing fin designed to be inserted into a rough opening from the outside before applying exterior or interior surfaces

Tempered: Strong, break-resistant glass which when shattered, breaks into small pebble-like pieces

Obscure: Any textured glass used for privacy, light diffusion, or decorative effects



10640 Burbank Blvd. North Hollywood, CA 91601
TEL (818)760-3090 FAX (818)760-3095
www.windowdoormart.com